

**HYBRID  
PALLET TRUCK**  
A new game changer!

**Microlift**  
material handling e-solution



- Lithium Battery
- Upright Driving
- Powerful & Portable
- Minimum Maintenance

**Powered Driving  
+  
Powered Lifting**

*Meet your new Warehouse Worker.  
The Microlift Hybrid ET15MH-P/ET20MH-P*

1	Manufacturer		Microlift	Microlift
2	Model		ET15MH-P	ET20MH-P
3	Operator type		Walkie	Walkie
4	Load Capacity (kg)	Q	1500	2000
5	Load Center (mm)	C	600	600
6	Wheelbase (mm)	Y	1202/1272	1202/1272
7	Service Weight (kg)		120/125	125/130
8	Overall Height (mm)	H1	1280	1280
9	Lift Height (mm)	H2	195	195
10	Fork Height (Lowered) (mm)	H3	85	85
11	Overall Length (mm)	L1	1555/1625	1555/1625
12	Overall Width (mm)	B	540/680	540/680
13	Fork Size (mm)	L2	540x1150/680x1220	540x1150/680x1220
14	Travel Motor		750w	750w
15	Travel Speed (laden/unladen)	km/h	4/4.5	4/4.5
16	Max.Gradeability (laden/unladen)	%	8%/20%	5%/20%
17	Battery Voltage/ Capacity V/Ah	V/Ah	24V/20Ah Li-Battery	24V/20Ah Li-Battery
18	Turning Radius (mm)	R	1352/1422	1352/1422
19	Lift Motor		500w	500w

### • Handle

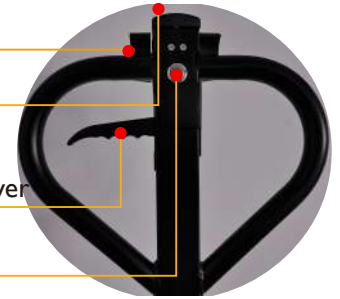
Ergonomics Designed!  
Smart and Comfortable.

Accelerator

Reversing button

Lowering releasing lever

Lifting button

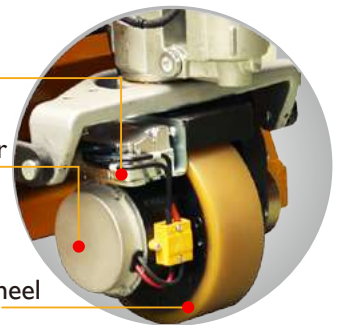


### • Driving Unit

UK PG controller

High Quality Motor

Reliable Driving Wheel



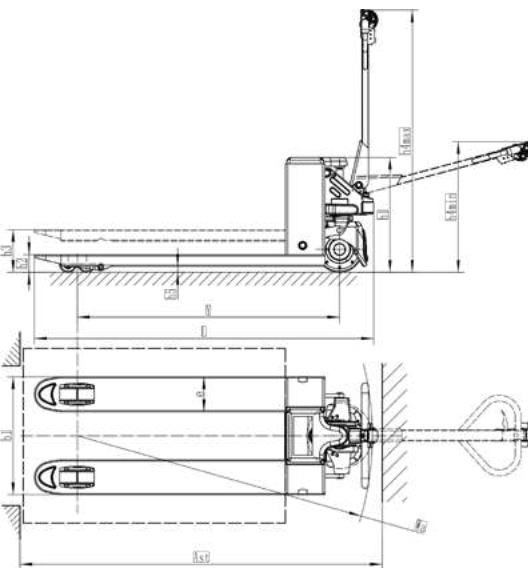
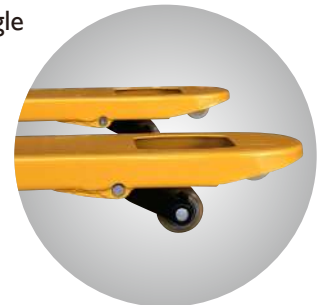
### • Key Switch

Integral design  
of Key Switch  
and Emergency  
Stop.



### • Fork

Easier entrance/  
exit design for  
pallet (Single  
Wheel  
available)



### • Portable Lithium Battery

2 years warranty  
5 kg / 11 lbs  
weighs only  
20 seconds quick  
change



### • Quick Charge

2 hours  
(option)



### • Manual Brake Release

Just use like  
hand pallet  
truck



**HYBRID  
PALLET TRUCK**  
A new game changer!

**Microlift**  
material handling e-solution

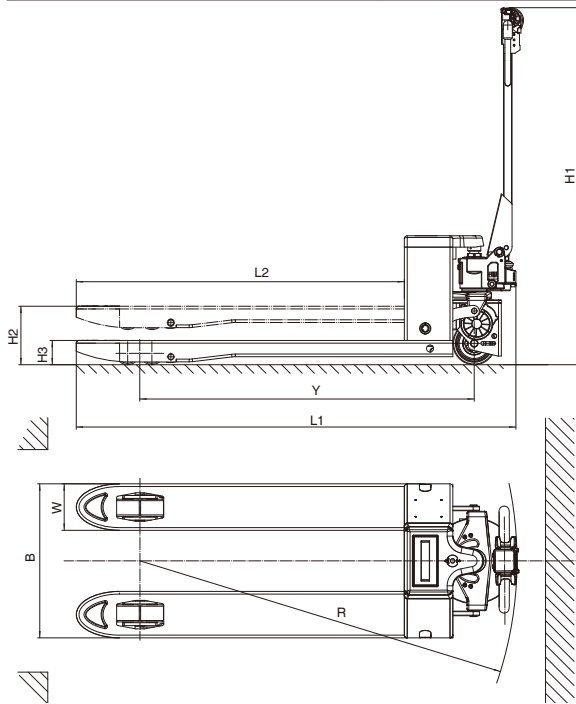


- Lithium Battery
- Upright Driving
- Powerful & Portable
- Minimum Maintenance

**Powered Driving  
+  
Manual Lifting**

*Meet your new Warehouse Worker.  
The Microlift Hybrid ET15MH/ET20MH*

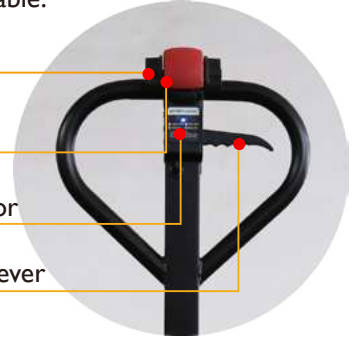
I	Manufacturer		microlift	microlift
2	Model		ET15MH	ET20MH
3	Operator type		Walkie	Walkie
4	Load Capacity (kg)	Q	1500	2000
5	Load Center (mm)	C	600	600
6	Wheelbase (mm)	Y	1202/1272	1202/1272
7	Service Weight (kg)		115/120	120/125
8	Overall Height (mm)	H1	1280	1280
9	Lift Height (mm)	H2	200	200
10	Fork Height (Lowered) (mm)	H3	85	85
11	Overall Length (mm)	L1	1555/1625	1555/1625
12	Overall Width (mm)	B	540/680	540/680
13	Fork Size (mm)	L2	540x1150/680x1220	540x1150/680x1220
14	Travel Speed (laden/unladen)	km/h	4/4.5	4/4.5
15	Max.Gradeability (laden/unladen)	%	8%/20%	5%/20%
16	Battery Voltage/ Capacity	V/Ah	24V/20Ah Li-Battery	24V/20Ah Li-Battery
17	Turning Radius	R	1352/1422	1352/1422
18	Travel Motor		750w	750w



### • Handle

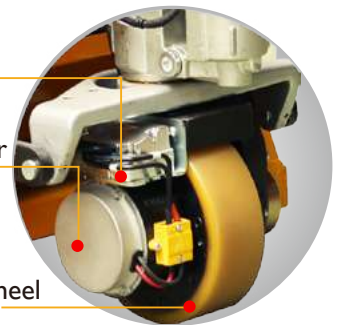
Ergonomics Designed!  
Smart and Comfortable.

- Accelerator
- Reversing button
- LED battery indicator
- Lowering releasing lever



### • Driving Unit

- UK PG controller
- High Quality Motor
- Reliable Driving Wheel



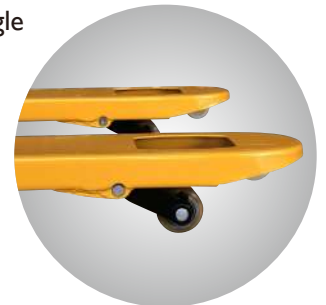
### • Key Switch

Integral design  
of Key Switch  
and Emergency  
Stop.



### • Fork

Easier entrance/  
exit design for  
pallet (Single  
Wheel  
available)



### • Portable Lithium Battery

- 2 years warranty
- 5 kg / 11 lbs weighs only
- 20 seconds quick change



### • Quick Charge

2 hours  
(option)



### • Manual Brake Release

Just use like  
hand pallet  
truck

